

Three-terminal positive voltage regulator

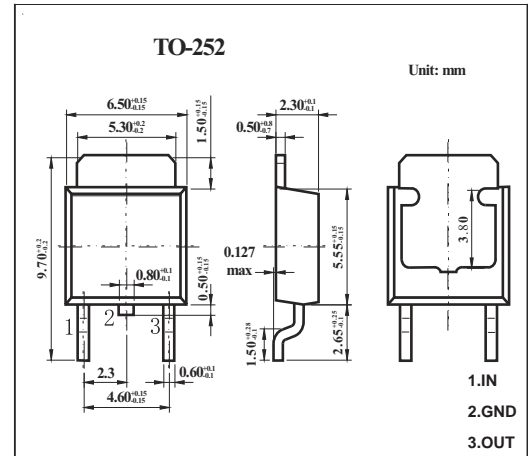
FEATURES

- Maximum output current IOM: 1.5 A
- Output voltage VO: -12V
- Continuous total dissipation

$$P_D: 1.25 W (T_a = 25 ^\circ C)$$

MECHANICAL DATA

- Case: TO-252 Small Outline Plastic Package
- Polarity: Color band denotes cathode end
- Mounting Position: Any



ABSOLUTE MAXIMUM RATINGS

(Operating temperature range applies unless otherwise specified)

Parameter	Symbol	Value	Unit
Input Voltage	V_i	-30	V
Thermal Resistance from Junction to Air	$R_{\theta JA}$	100	$^\circ C/W$
Operating Junction Temperature Range	T_{OPR}	0~+150	$^\circ C$
Storage Temperature Range	T_{STG}	-65~+150	$^\circ C$

ELECTRICAL CHARACTERISTICS AT SPECIFIED VIRTUAL JUNCTION TEMPERATURE ($V_i = -19V, I_o = 500mA, C_i = 2.2\mu F, C_o = 1\mu F$, unless otherwise specified)

Parameter	Symbol	Test conditions	Min	Typ	Max	Unit
Output Voltage	V_o	$25^\circ C$	-11.52	-12	-12.48	V
		$-14.5V \leq V_i \leq -27V, I_o = 5mA - 1A$	0-125 $^\circ C$	-11.4	-12	-12.6
Load Regulation	ΔV_o	$I_o = 5mA - 1.5A$	$25^\circ C$	15	200	mV
		$I_o = 250mA - 750mA$	$25^\circ C$	5	75	mV
Line Regulation	ΔV_o	$-14.5V \leq V_i \leq -30V$	$25^\circ C$	5	80	mV
		$-16V \leq V_i \leq -22V$	$25^\circ C$	3	30	mV
Quiescent Current	I_q	$25^\circ C$		2	3	mA
Quiescent Current Change	ΔI_q	$-14.5V \leq V_i \leq -30V$	0-125 $^\circ C$		0.5	mA
		$5mA \leq I_o \leq 1A$	0-125 $^\circ C$		0.5	mA
Output Noise Voltage	V_N	$10Hz \leq f \leq 100KHz$	$25^\circ C$	300		$\mu V/V_o$
Output Voltage Drift	$\Delta V_o / \Delta T$	$I_o = 5mA$	0-125 $^\circ C$	-0.8		$mV/^\circ C$
Ripple Rejection	RR	$-15V \leq V_i \leq -25V, f = 120Hz$	0-125 $^\circ C$	54	60	dB
Dropout Voltage	V_d	$I_o = 1A$	$25^\circ C$	1.1		V
Peak Current	I_{pk}	$25^\circ C$		2.1		A

* Pulse test.

TYPICAL APPLICATION

